

ELMARK[®]

The Brand of Electricity

LED PANELS

ROUND STELLAR [GENERAL INFORMATION »](#)



- ∴ Nominal voltage: 185-240V/ 50-60Hz
- ∴ Power: 6W; 12W; 18W; 24W
- ∴ Power supply: Control gear; DC device- driver
- ∴ Light source: Epistar SMD2835
- ∴ Colour temperature: 2700K; 4000K; 6500K
- ∴ Colour body: White
- ∴ Body material: Aluminium
- ∴ Reflector: Polycarbonate (PC)
- ∴ Beam angle: 120°
- ∴ Colour rendering index: Ra≥80
- ∴ Switch on/off:>10 000
- ∴ Long life: 15 000h
- ∴ Starting time: <0.5s
- ∴ Power factor: $\lambda > 0.55$
- ∴ Protection against dust and moisture: IP40
- ∴ Installation: Built-in
- ∴ Available in variant with an emergency kit

[FEATURES »](#)

- ∴ Completely replace traditional fluorescent lighting
- ∴ Safety, low voltage operation
- ∴ Emit a very pleasant and even light with very low glare factor due to the diffusion lens
- ∴ Low power consumption
- ∴ Instant light with maximum luminous flux
- ∴ Environmentally friendly - do not emit mercury and lead
- ∴ No ultraviolet and infrared rays
- ∴ Resistant to shock and vibration
- ∴ Suitable for home, offices, halls, shops, hospitals

TECHNICAL SPECIFICATION SHEET

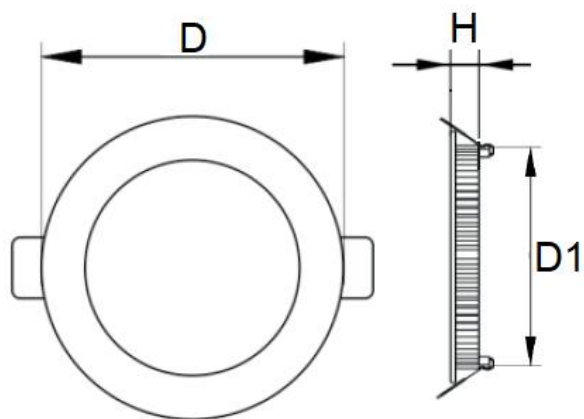
ELMARK[®]

The Brand of Electricity

PRODUCT DETAILS »

Catalogue number	Catalogue number with Emergency kit	Watt (W)	Whole fixture lumens (lm)	Colour temp. (K)	Colour body
99XLED610	99XLED610E	6	330	2700	white
99XLED609	99XLED609E	6	330	4000	white
99XLED609CW	99XLED609CWE	6	330	6500	white
99XLED612	99XLED612E	12	840	2700	white
99XLED611	99XLED611E	12	840	4000	white
99XLED611CW	99XLED611CWE	12	840	6500	white
99XLED615	99XLED615E	18	1350	2700	white
99XLED614	99XLED614E	18	1350	4000	white
99XLED614CW	99XLED614CWE	18	1350	6500	white
99XLED621	99XLED621E	24	1800	2700	white
99XLED620	99XLED620E	24	1800	4000	white
99XLED620CW	99XLED620CWE	24	1800	6500	white

DIMENSIONS »



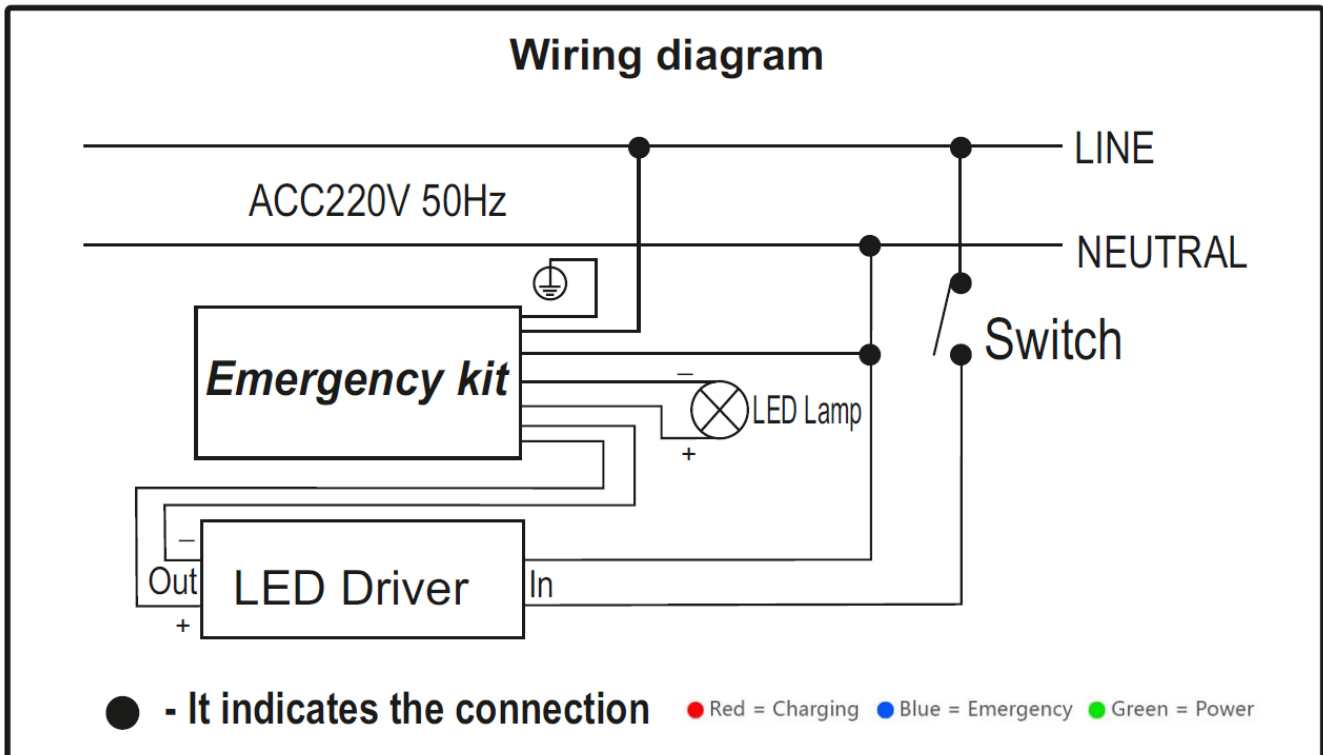
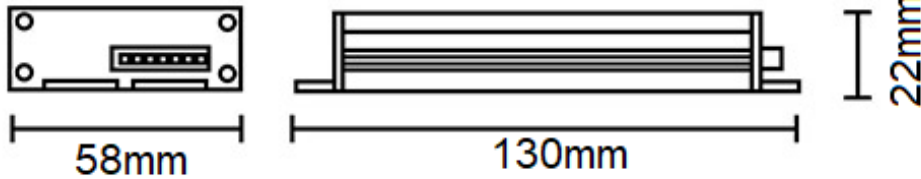
Catalogue number	Length (mm)	Width (mm)	Height (mm)
99XLED610	120	18	103
99XLED609	120	18	103
99XLED609CW	120	18	103
99XLED612	170	18	152
99XLED611	170	18	152
99XLED611CW	170	18	152
99XLED615	225	18	205
99XLED614	225	18	205
99XLED614CW	225	18	205
99XLED621	295	18	268
99XLED620	295	18	268
99XLED620CW	295	18	268

LED EMERGENCY KIT SPECIFICATIONS »



General information »

- ∴ Voltage: AC85-265V 50Hz
- ∴ Emergency Output: 3-40W
- ∴ Emergency Time: 2hrs (120mins)
- ∴ Battery: 3.7V 2400mAh
- ∴ Emergency Switching Time: <2s
- ∴ AC Fuse: 250V 1A
- ∴ DC Fuse: 250V 5A
- ∴ Luminous Flux: >100lm
- ∴ Light Source: LED
- ∴ Working temperature: -10°C +55°C
- ∴ IP Rate: IP30



ADDITIONAL INFORMATION »

stellari lighting solutions 99XLED610

This luminaire contains built-in LED lamps.

The lamps cannot be changed in the luminaire.

874/2012

Catalogue number	Barcode	Packing/Box (pcs)
99XLED610	3800131198594	1/30
99XLED609	3800131198587	1/30
99XLED609CW	3800131210449	1/30
99XLED612	3800131198617	1/24
99XLED611	3800131198600	1/24
99XLED611CW	3800131210456	1/24
99XLED615	3800131198631	1/20
99XLED614	3800131198624	1/20
99XLED614CW	3800131210463	1/20
99XLED621	3800131198655	1/24
99XLED620	3800131198648	1/24
99XLED620CW	3800131210562	1/20

